

# BRAVO SNORKEL



## NISSAN NAVARA

VARIANT: D23 / NP300 (2015 - On.)

REF: SNN6

FITMENT SIDE: Right

### LINEAR LOW DENSITY POLYETHYLENE RESINE



LL 8446 is a linear low density butene copolymer designed to offer excellent processability, whiteness, and fast grinding rate. This UV stabilized resin is ideally suited for applications that require excellent dimensional control and low warpage.

### PROPERTIES

#### Additive

Long Term UV-8 Stabilizer

#### Density

0.936 g/cm<sup>3</sup> (Based on ISO 1183)

#### Melt Index (190°/2.16 Kg)

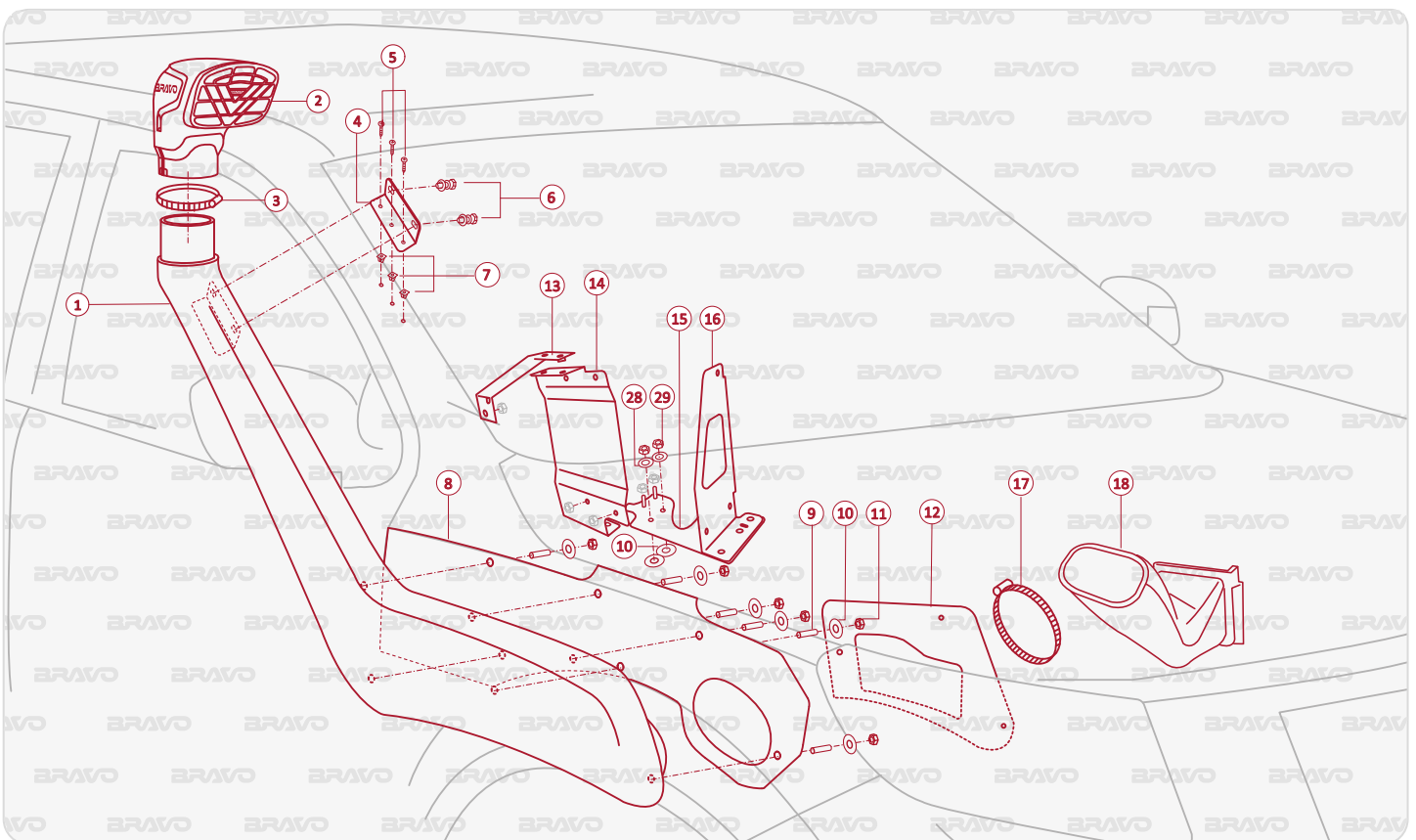
5.0 g/10min (Based on ISO 1183)

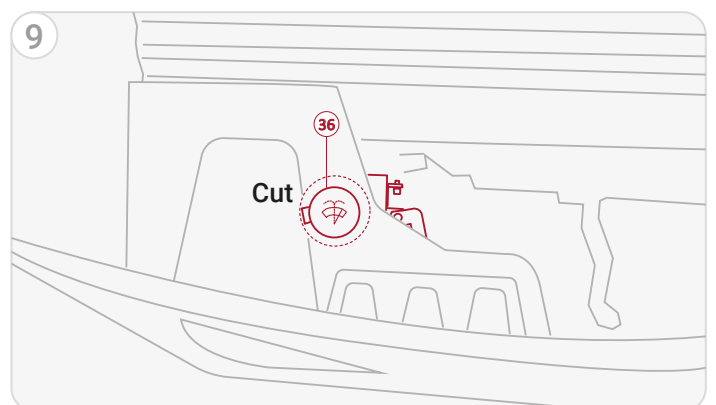
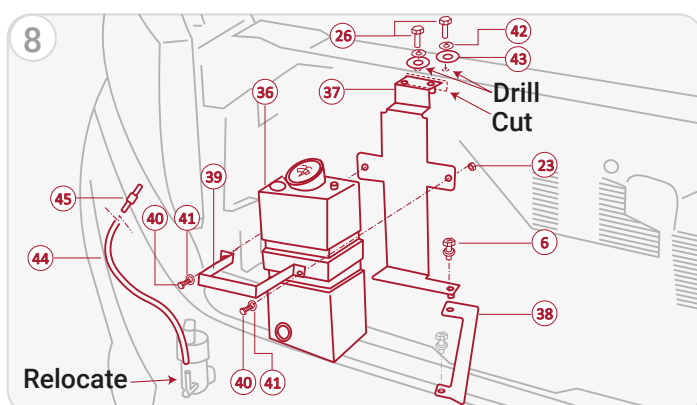
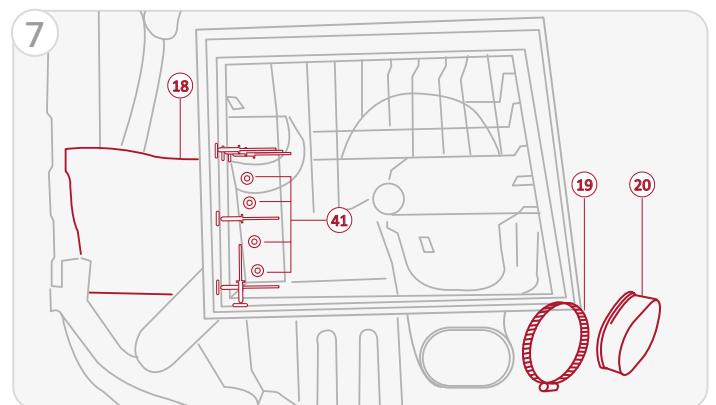
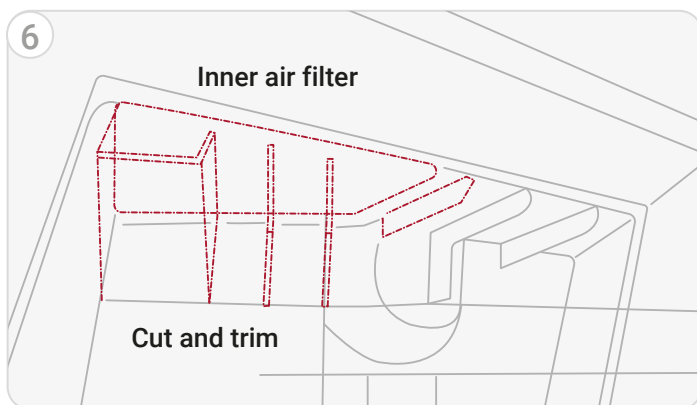
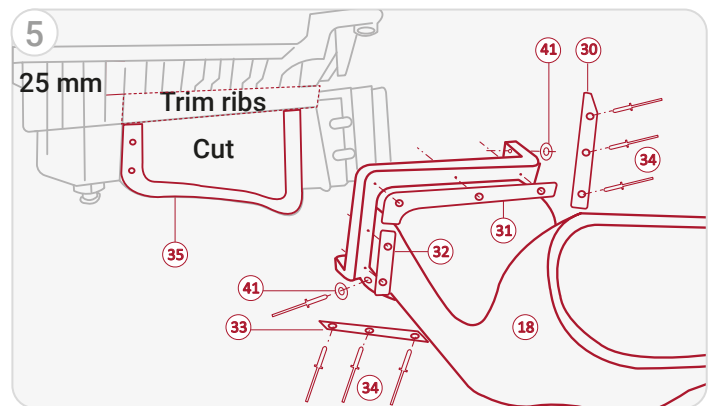
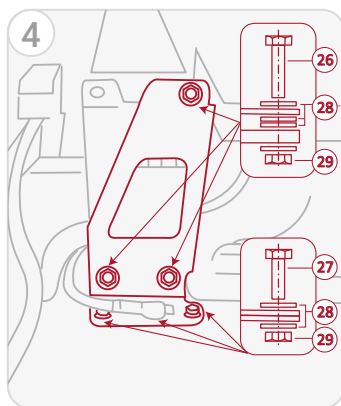
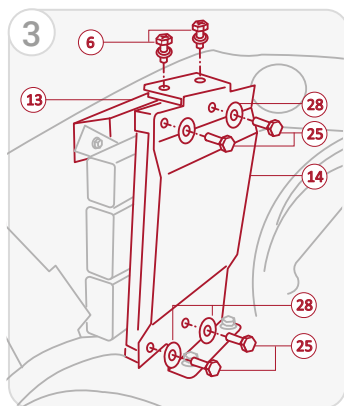
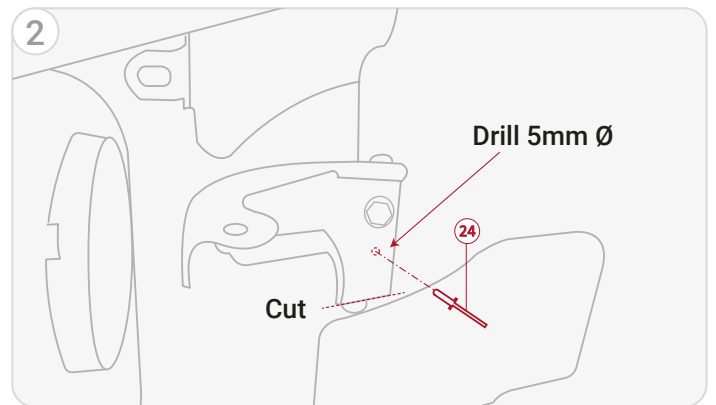
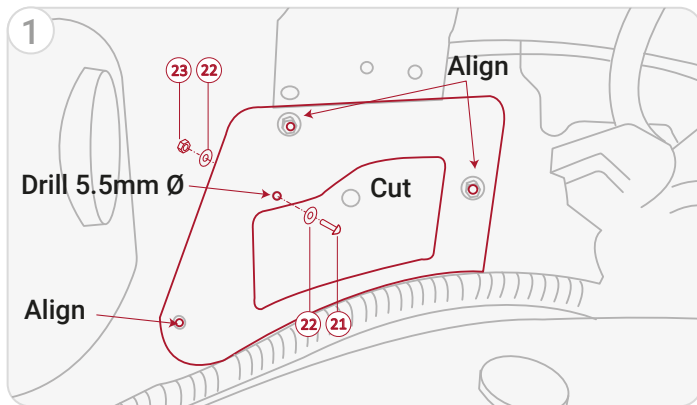
1	Snorkel body		x1
2	Snorkel head	89 mm / 3,5"	x1
3	Black clamp	78 - 101 mm	x1
4	Bracket		x1
5	Screw	M4 x 16 mm	x3
6	SEMS bolt	M6 x 14 mm	x5
7	Nylon insert		x3
8	Installation template		x1
9	Bolt	M8 x 25 mm	x6
10	Washer	M8 x 32 mm	x8
11	Nut - nyloc	M8 x 13 mm	x6
12	Inner cutting template		x1

13	Ecu support bracket		x1
14	Ecu relocation bracket		x1
15	Base support bracket		x1
16	Module relocation bracket		x1
17	Clamp	100 - 120 mm	x1
18	Rubber duct connecting		x1
19	Clamp	50 - 70 mm	x1
20	Air inlet cap		x1
21	Bolt	M5 x 16 mm	x1
22	Washer	M5 x 14 mm	x2
23	Nut - nyloc	M5 x 8 mm	x3
24	Rivet	4,8 mm	x1

PART	DESCRIPTION	QTY
25	Hex bolt M6 x 25 mm	x4
26	Hex bolt M6 x 20 mm	x5
27	Hex bolt M6 x 16 mm	x3
28	Washer M6 x 14 mm	x24
29	Nut - nyloc M6 x 10 mm	x7
30	Right side metal bracket	x1
31	Left side metal bracket	x1
32	Upper metal bracket	x1
33	Lower metal bracket	x1
34	Rivet 4 mm	x13
35	Air box template	x1

PART	DESCRIPTION	QTY
36	Washer bottle	x1
37	Washer bottle mounting bracket	x1
38	Washer bottle support	x1
39	Washer mounting clamp	x1
40	Hex bolt M5 x 12 mm	x2
41	Washer M4 x 12 mm	x13
42	Grower washer M6 x 10 mm	x2
43	Washer M6 x 20 mm	x2
44	Windscreen washer hose 1300 mm	x1
45	Straight conector	x1





Installation process is under installer's responsibility.